

Additional information

Status: 2018-04-26

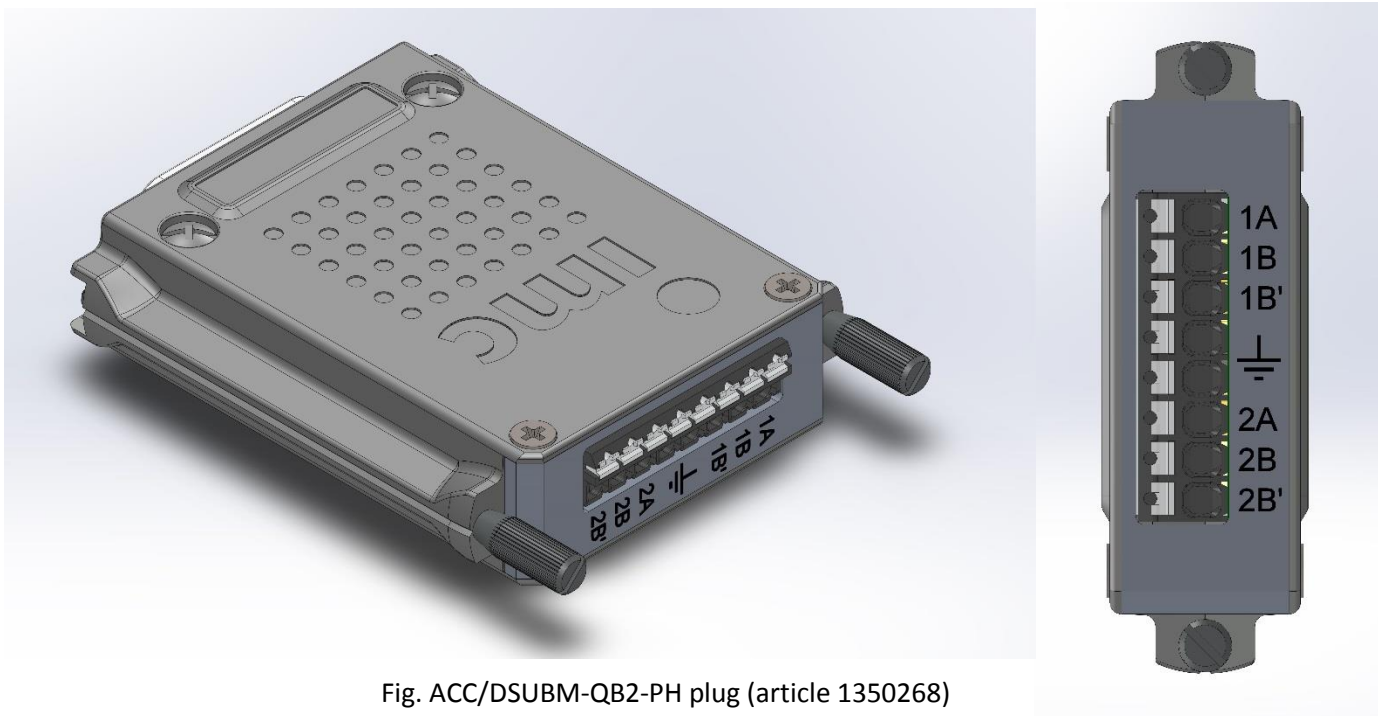


Fig. ACC/DSUBM-QB2-PH plug (article 1350268)

General

This connector (ACC/DSUBM-QB2-PH, article 1350268) is designed exclusively for the convenient connection of strain gauge sensors in quarter bridge configuration. The corresponding connections for two channels can be accessed via the 8-pin spring terminal ("Push-In"). The labelling of the terminals is based on the usual designations for three-wire configuration of quarter bridges: A and B designate the two ends of the strain gauges and the "doubled" connection of one side is designated with B'.

The plug is intended exclusively for use with measuring amplifiers of types **DCB2-8**, **B-8** and **UNI2-8** or devices equipped with this amplifier, such as **CS-7008**, **CS-5008**, etc., respectively. Generally the manual of the imc CRONOS device family is valid, the signal assignment is as follows:

Terminology in the imc CRONOS system family manual	labelling of terminals
+VB1	1A
+IN1	1B
¼ Bridge	1B'
+VB2	2A
+IN2	2B
¼ Bridge	2B'

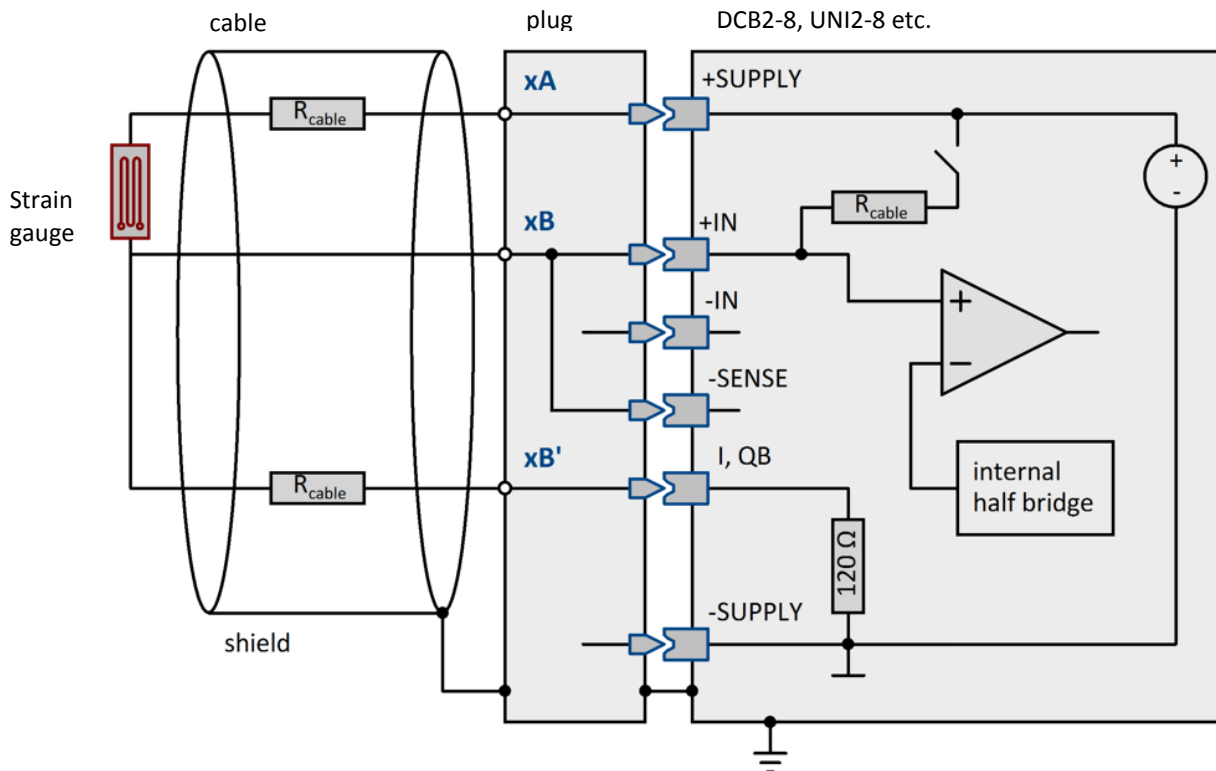
The connection between the +IN and -SENSE connections required for the quarter bridge mode is already implemented in this connector and no longer has to be closed by the user.

imc ACC/DSUBM plug

ACC/DSUBM-QB2-PH



Connection for quarter bridge measurement



Technical Specs – ACC/DSUBM-QB2-PH

Parameter	Value	Remarks
Compatible channel types	imc bridge amplifiers types UNI2-8, DCB2-8, B-8 Cx-70xx, Cx-50xx	amplifier with DSUB-15 connectors (2 channels per DSUB) imc CRONOS, imc C-SERIES, imc CANSAS
Appropriate measurement mode	strain gauge in quarter bridge configuration (3-wire circuit)	
Inputs	2	
Housing material	metal	zinc die-cast (nickel-plated)
Connector type	DSUB-15, Push-In spring terminal (PHOENIX Contact)	connection to the amplifier, measurement signal (strain gauge sensor) Typ: SPT-THR 1,5/ 6-H-3,5 P26
Usable wire cross-section	AWG min. 24 AWG max. 16	
Protection level	IP40	
Locking screws	2x M2.5 x 58 mm	suitable for corresponding latching to the imc device
Dimensions	67 x 55 x 19 mm	
Weight	typ. 102 g	

For all further technical information, please refer to the manual of the imc CRONOS system family.