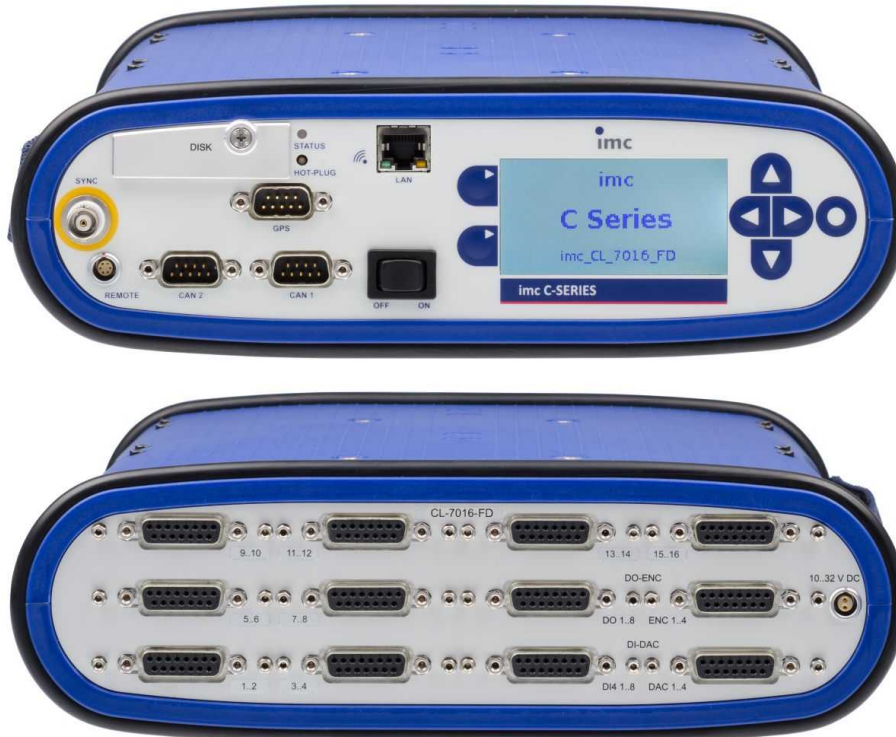


imc C-SERIES: CL-5016-FD

Universal and powerful compact measurement system



device type: CL-5016-FD, 16 analog measurement inputs (*Fig. similar*)

The CL-5016 model of the imc C-SERIES is a 16-channel measurement system equipped with bridge amplifiers for strain gauge measurements. They can be configured via software for quarter-, half and full-bridge mode and directly convert acquired signals for the various setups into stress and strain.

Additional pulse counter inputs support direct measurement of RPM, velocity or displacement or event counting. Two integrated CAN FD nodes allows communication with control units (ECUs) and acquisition of vehicle or machine data, CAN based sensors or additional CAN measurement modules of the imc CANSAS series.

imc C-SERIES - complete, compact and portable measurement devices

The imc C-SERIES is a family of device models each having a fixed hardware configuration. These measurement systems can operate in conjunction with a connected PC (via Ethernet) for setup, data storage and visualization, or in autarkic stand alone mode. In case of power outages, full data integrity on the built-in Flash removable memory volume is ensured by means of UPS buffering, which ensures the safe termination and storage of all open measurement data files.

The devices in a flat "CL" portable housing with carrying straps offer a permanently installed Display.

All C-SERIES-FD devices come standard with two CAN interfaces, which can be operated both in standard-CAN mode and in extended CAN FD configuration (FD: flexible Data Rate with an extended data rate of up to 8 MBaud). Since the operation mode can be software-configured separately for each node, the user benefits from a maximum flexibility and 100% backward compatibility with predecessor models such as the C-SERIES-N.

Highlights

- Integrated CAN FD-Interface
- Internal 3" graphic display for control and visualization, dimension of the Display L x W: 6.7 x 3.5 cm
- Real-time signal processing and closed loop control and test automation with imc Online FAMOS
- Counter inputs (measurement of RPM, speed, angle, time, events etc.)
- Digital inputs and outputs
- Analog outputs (DAC)
- Data storage to onboard flash media (CF card) or network harddrive (NAS etc.)
- Complex triggering system, PC independent
- Optional internal WiFi (WLAN) adaptor
- Supports platform independent remote access via standard internet browser (optionally integrated imc REMOTE Webserver)
- Networking (TCP/IP) and synchronizable with other imc measurement systems via:
 - isolated Sync-Signal (DCF-77, IRIG-B)
 - network based via NTP
 - GPS
- Measurement channel extension via direct connection of CAN based measurement modules of the imc CANSAS series
- In conjunction with the operating software imc STUDIO the devices are immediately ready to take measurements with all functionality supported.

Overview of the available CL-5016 devices

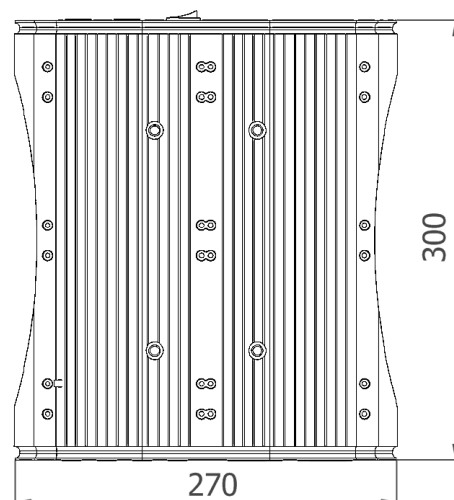
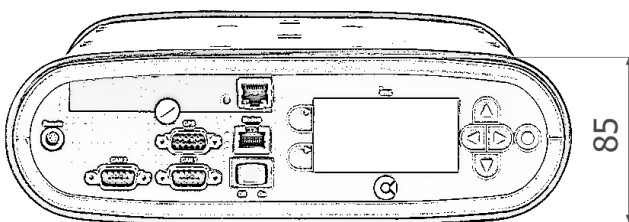
Order code	article no.	housing	analog channels	properties
CL-5016-FD	14000121	CL portable housing	16	CAN FD and NiMH batteries
CL-5016-FD-ET	14100060			for extended temperature range

Extra option (factory order option)

- Internal WiFi-adaptor

Mechanical drawings with dimensions

- CL portable housing (270 x 85 x 300 mm)



Software minimum requirements

Operation of the "FD" series devices requires operating software of the following group:

imc STUDIO 5.0 R9 associated with firmware and driver package imc DEVICES 2.9 R6.

Accessories and Connectors

Included accessories

AC/DC power adaptor 110-230V AC (with appropriate LEMO plug)		
ACC/AC-ADAP-24-60-0B	24 V DC, 60 W, LEMO.0B.302	13500246
DSUB-15 plug		
8x ACC/DSUBM-B2	DSUB-15 plug with screw terminals for 2-channel measurement of strain gauge, bridges and voltage	13500170
1x ACC/DSUBM-DI4-8	DSUB-15 plug for 8 digital inputs	13500174
1x ACC/DSUBM-DO8	DSUB-15 plug for 8 digital outputs	13500173
1x ACC/DSUBM-ENC4	DSUB-15 plug for 4 incremental inputs	13500171
1x ACC/DSUBM-DAC4	DSUB-15 plug for 4 analog outputs	13500177
Documents		
Getting started with imc C-SERIES (one copy per delivery)		
Device certificate		
Miscellaneous		
1x Ethernet network cable with latch protection (uncrossed, 2 m)		
1x LEMO.0B plug (ACC/POWER-PLUG3, imc article no. 13500033)		

Optional accessories

DSUB-15 plug		
ACC/DSUBM-I2	DSUB-15 plug for 2-channel current measurement (20 mA)	13500180
ACC/DSUBM-ICP2I-BNC-S	DSUB-15 plug for 2 IEPE/ICP sensors, BNC connection, isolated, slow	13500293
ACC/DSUBM-ICP2I-BNC-F	DSUB-15 plug for 2 IEPE/ICP sensors, BNC connection, isolated, fast	13500294
Mounting brackets for fixed installations		
C/CL-BRACKET-180	mounting bracket 180° with straps; for installation of CL housing onto a base plate with fastening straps	14000065

Further accessories (see separate price list of the accessories)

- recommended and verified removable flash storage media
- GPS-receiver (with DSUB-9 connection)

General Technical Specs

Terminal connection		
Parameter	Value	Remarks
Terminal connection	8x DSUB-15	analog inputs
Terminal connection DI, DO, INC, DAC	1x DSUB-15 1x DSUB-15 1x DSUB-15 1x DSUB-15	8 digital inputs 8 digital outputs 4 counter inputs 4 analog outputs
Further terminal connection	RJ45 CF-Card Slot 2x DSUB-9 DSUB-9 BNC LEMO FGG.0B.302 LEMO FGG.0B.306	Ethernet (100 Mbit), PC/network removable storage two CAN FD nodes external GPS module synchronization supply REMOTE
Weight	approx. 3.5 kg	
Dimensions (WxHxD) in mm	270 x 85 x 300	
Power supply		
Parameter	Value	Remarks
Power supply	10 V to 32 V DC	
Isolation of supply input	isolated	
AC/DC adaptor	110 V to 230 V AC	external adaptor included in delivery
Auto start upon power up	configurable	automatic start of measurement

UPS and Data integrity	Value	Remarks
Autarkic operation without PC	✓	
Self start (automatic data acquisition operation)	configurable	timer, absolute time, automatic start when power supply is available
Auto data-saving upon power outage	✓	buffering (UPS) with "auto-stop": auto-stop of measurement, data storage and automatic shutdown
UPS	integrated	NiMH batteries, with automatic charge control
UPS coverage	complete system	
UPS delay per power outage	30 s (Default), configurable	"buffer time constant": required duration of a continuous outage that will trigger auto shutdown procedure
Effective buffer capacity	≥55 Wh	typ. 23°C, battery fully charged
Max. buffer duration	typ. 90 min.	total buffer duration depending on device variant, total power consumption ≤35 W
Minimum charging for 1 min. buffer duration	typ. 17 min	typ. 23°C, with empty battery
Additional power consumption during charging time	3.5 W (typ.)	device activated
Charging power	2.5 W (typ.)	device activated
Charging time ratio: charge / discharge	buffer time · 1.2 · (total power / 2.5 W)	worst case example: total power consumption of system 35 W, buffer duration 1 min., resulting charging time typ. 17 min.
Charging time for complete battery recovery	36 h	device activated

Data acquisition, trigger		
Parameter	Value	Remarks
Max. aggregate sampling rate	400 kS/s	
Channel individual sampling rates	selectable in 1–2–5 steps	
Number of sampling rates: analog channels, DI and counter	2	usable simultaneously in one configuration
Number of sampling rates: fieldbus channels	arbitrary	
Number of sampling rates: virtual channels	arbitrary	data rates generated via imc Online FAMOS (e.g. via reduction)
Monitor channels	✓ of the types: analog, DI and counter (incremental counter) and CAN	doubled channels with independent sampling and trigger settings
Intelligent trigger functions	✓	e.g. logical combination of multiple channel events (threshold, transition) to create triggers that start and stop acquisition of assigned channels
Multi.triggered data acquisition	✓	multiple trigger-machines and multi-shot
Independent trigger-machines	48	start/stop, arbitrary channel assignment
Direct onboard data reduction: arithmetic mean, min, max.	✓	
Extensive real-time calculation and control functions	✓	included in standard delivery (via imc Online FAMOS)
External GPS signal receiver	0	
Internal WiFi (WLAN) adaptor	0 IEEE 802.11g (1 antenna) max. 54 Mbit/s	

Maximum channel count per device								
Active channels		512	active channels of the current configuration: Total sum of analog, digital, fieldbus and virtual channels as well as possible monitor channels					
Fieldbus channels		1000	Number of defined channels (active and passive); Currently activated channels are limited by the total number of activated channels (512).					
Process vector variables		800	The process vector is a collection of single-value variables, each containing the latest current measured values. A process vector variable is automatically created for each channel.					
		without monitor channels			with monitor channels			
Channel type	determined by	limit (active+passive)	activated	total activated	limit (active+passive)		activated	total activated
Analog channels	depending device type	8..24	8..24	512	Channel	8..24	16..48	512
					Monitor	8..24		
Incremental counter	standard	4	4		Channel	4	4	
					Monitor	4	4	
Digital DI-Ports	standard	1	1		Port	1	1	
					Monitor	1	1	
Digital DO/DAC-Ports	standard	2	2		Port	2	2	
Fieldbus-channels	definable (dbc)	1000	512		Channel	1000	512	
					Monitor			
Virtual channels (OFA)	definable (OFA)	-	512		-	-	512	

DI-ports (respectively channels) have monitor-ports, DO/DAC-ports in contrary do not have monitor-ports

Storage, signal processing		
Parameter	Value	Remarks
Internal flash storage	CF-card	removable cover for the CF slot
Removable flash storage media	CF	recommended media available at imc; the specified operating temperature range of the media is relevant
Storage on NAS (network storage)	✓	alternatively to onboard Flash storage
Arbitrary memory depth with pre- and post trigger	✓	maximum pretrigger limited by size of Circular Buffer RAM; posttrigger only limited by available mass storage (Flash)
Circular buffer mode	✓	cyclic overwrite of circular buffer memory on mass storage media
Synchronization	DCF 77 GPS IRIG-B NTP	Master / Slave via external GPS-receiver TTL via network

Operating conditions		
Parameter	Value	Remarks
Operating environment	dry, non corrosive environment within specified operating temperature range	
Rel. humidity	80% up to 31°C, above 31°C: linear declining to 50%	according IEC 61010-1
Ingress protection rating	IP20	
Pollution degree	2	
Operating temperature (Standard)	-10°C to +55°C	without condensation
Operating temperature (extended: "-ET" version)	-40°C to +85°C	condensation temporarily allowed
Shock- and vibration resistance	IEC 61373, IEC 60068-2-27 IEC 60062-2-64 category 1, class A and B MIL-STD-810 Rail Cargo Vibration Exposure U.S. Highway Truck Vibration Exposure	
Extended shock- and vibration resistance	upon request	specific tests or certifications upon request

Synchronization and time base

Time base of individual device without external synchronization			
Parameter	Value typ.	min. / max.	Remarks
Accuracy RTC		±50 ppm 1 µs (1 ppm)	not calibrated (standard devices), at 25°C calibrated devices (upon request), at 25°C
Drift	±20 ppm	±50 ppm	-40°C to +85°C operating temperature
Ageing		±10 ppm	at 25°C; 10 years

Time base of individual device with external synchronization signal				
Parameter	GPS	DCF77	IRIG-B	NTP
Supported formats	NMEA / PPS ⁽¹⁾		B000, B001 B002, B003 ⁽²⁾	Version ≤4
Precision	±1 µs			<5 ms after ca. 12 h ⁽³⁾
Jitter (max.)	±8 µs			
Voltage level	TTL (PPS ⁽¹⁾) RS232 (NMEA)	5 V TTL level		---
Input impedance	1 kΩ (pull up)	20 kΩ (pull up)		---
Input connection	DSUB-9 "GPS" not isolated	BNC "SYNC" (isolated) (test voltage: 300 V, 1 min.)		RJ45 "LAN"
Cable shield connection		BNC: isolated Signal-GND (marked with yellow ring)		---

Synchronization of multiple devices via DCF (Master/Slave)			
Parameter	Value typ.	min. / max.	Remarks
Max. cable length		200 m	BNC cable type RG58 (propagation delay of cable needs to be considered)
Max. number of devices		20	only slaves
Common mode SYNC not-isolated	0 V		with non-isolated BNC connector: devices must have the same ground voltage level, otherwise signal integrity issues (signal artifacts and noise) may result
SYNC isolated		max. 50 V	with isolated BNC connector: SYNC-signal is already internally isolated, for reliable operation even with different ground voltage level (ground loops)
Voltage level	5 V		
DCF input/output	"SYNC" connection		BNC

- (1) PPS (Pulse per second): signal with an impulse >5 ms is necessary
(2) using BCD information only
(3) Max. value, concerning the following condition: first-synchronization

CL-5016-FD analog inputs

Channels, measurement modes, terminal connection			
Parameter	Value		Remarks
Inputs	16		
Measurement modes	voltage measurement current measurement bridge sensor strain gauges current-fed sensors (IEPE/ICP)		ACC/DSUBM-I2 shunt-plug or Single-ended (internal shunt) ACC/DSUBM-B2 full, half, quarter bridge with DSUB-15 extension plug: ACC/DSUBM-ICP2I-BNC-S/-F, isolated
Sampling rate, Bandwidth, Filter, TEDS			
Parameter	Value		Remarks
Sampling rate	≤100 kHz		per channel
Bandwidth	0 Hz to 5 kHz		-3 dB
Filter (digital) cut-off frequency characteristic order	1 Hz to 2 kHz		Butterworth, Bessel (digital) low pass or high pass filter 8th order band pass, LP 4th and HP 4th order Anti-aliasing filter: Cauer 8.order with $f_{\text{cutoff}} = 0.4 f_s$
TEDS	conforming IEEE 1451.4 Class II MMI		esp. with ACC/DSUBM-TEDS-xx (DS2433) not supported: DS2431 (typ. IEPE/ICP sensor)
Characteristic curve linearization	user defined (max. 1023 supporting points)		
General			
Parameter	Value typ.	min. / max.	Remarks
Overvoltage protection		±40 V	permanent
Input coupling	DC		
Input configuration	differential		
Input impedance	20 MΩ	±1%	
Auxiliary supply			only with DSUB-15 variant for IEPE/ICP expansion plug
voltage	+5 V	±5%	independent of integrated
available current	0.26 A	0.2 A	sensor supply, short-circuit protected
internal resistance	1.0 Ω	<1.2 Ω	power per DSUB-plug

Voltage measurement			
Parameter	Value typ.	min. / max.	Remarks
Input range	$\pm 10\text{ V}, \pm 5\text{ V}, \pm 2.5\text{ V}, \pm 1\text{ V} \dots \pm 5\text{ mV}$		
Gain error	0.02%	0.05%	of the measured value, at 25°C
Gain drift	$(10\text{ ppm/K}) \cdot \Delta T_a$	$(30\text{ ppm/K}) \cdot \Delta T_a$	$\Delta T_a = T_a - 25^\circ\text{C} $; with T_a = ambient temperature
Offset error	0.02%	$\leq 0.05\%$ $\leq 0.06\%$ $\leq 0.15\%$	of the input range at 25°C range $> \pm 50\text{ mV}$ range $\leq \pm 50\text{ mV}$ range $\leq \pm 10\text{ mV}$
Offset drift	$(\pm 0.7\text{ }\mu\text{V/K}) \cdot \Delta T_a$ $(\pm 0.1\text{ }\mu\text{V/K}) \cdot \Delta T_a$	$(\pm 6\text{ }\mu\text{V/K}) \cdot \Delta T_a$ $(\pm 1.1\text{ }\mu\text{V/K}) \cdot \Delta T_a$	range $\pm 10\text{ V}$ to $\pm 0.25\text{ V}$ range $\leq \pm 0.1\text{ V}$ $\Delta T_a = T_a - 25^\circ\text{C} $; with T_a = ambient temperature
Nonlinearity	10 ppm	50 ppm	
CMRR (common mode rejection ratio)	110 dB 138 dB	$> 90\text{ dB}$ $> 132\text{ dB}$	DC and $f \leq 60\text{ Hz}$ range $\pm 10\text{ V}$ to $\pm 50\text{ mV}$ range $\pm 25\text{ mV}$ to $\pm 5\text{ mV}$
Noise (RTI)	$0.6\text{ }\mu\text{V}_{\text{RMS}}$ $0.14\text{ }\mu\text{V}_{\text{RMS}}$	$1.0\text{ }\mu\text{V}_{\text{RMS}}$ $0.26\text{ }\mu\text{V}_{\text{RMS}}$	bandwidth 0.1 Hz to 1 kHz bandwidth 0.1 Hz to 10 Hz

Current measurement with shunt plug			
Parameter	Value typ.	min. / max.	Remarks
Input range	$\pm 50\text{ mA}, \pm 20\text{ mA}, \pm 10\text{ mA}, \pm 5\text{ mA},$ $\pm 2\text{ mA}, \pm 1\text{ mA}$		
Shunt impedance	50 Ω		external plug ACC/DSUBM-I2
Over load protection		$\pm 60\text{ mA}$	permanent
Input configuration	differential		
Gain error	0.02%	0.06% 0.1%	of reading, at 25°C plus error of 50 Ω shunt
Gain drift	$(15\text{ ppm/K}) \cdot \Delta T_a$	$(55\text{ ppm/K}) \cdot \Delta T_a$	$\Delta T_a = T_a - 25^\circ\text{C} $; with T_a = ambient temperature
Offset error	0.02%	0.05%	of range, at 25°C
Noise (current)	$0.6\text{ nA}_{\text{RMS}}$ $0.15\text{ nA}_{\text{RMS}}$	$10\text{ nA}_{\text{RMS}}$ $0.25\text{ nA}_{\text{RMS}}$	bandwidth 0.1 Hz to 1 kHz bandwidth 0.1 Hz to 10 Hz

Current measurement with internal shunt			
Parameter	Value typ.	min. / max	Remarks
Input range	±50 mA, ±20 mA, ±10 mA, ±5 mA, ±2 mA, ±1 mA		
Shunt impedance	120 Ω		internal
Over load protection		±60 mA	permanent
Input configuration	Single-ended		internal current backflow to -VB
Gain error	0.02%	0.06%	of reading, at 25°C
Gain drift	(15 ppm/K)·ΔT _a	(55 ppm/K)·ΔT _a	ΔT _a = T _a -25°C ; with T _a = ambient temperature
Offset error	0.02%	0.05%	of range, at 25°C
Noise (current)	0.6 nA _{RMS} 0.15 nA _{RMS}	10 nA _{RMS} 0.25 nA _{RMS}	bandwidth 0.1 Hz to 1 kHz bandwidth 0.1 Hz to 10 Hz

Bridge measurement			
Parameter	Value typ.	min. / max.	Remarks
Mode	DC		
Measurement modes	full-, half-, quarter bridge		bridge supply ≤5 V with quarter bridge
Input ranges	±1000 mV/V, ±500 mV/V, ±200 mV/V, ±100 mV/V ...		(as an option) (as an option)
bridge supply: 10 V	... ±0.5 mV/V		
bridge supply: 5 V	... ±1 mV/V		
bridge supply: 2.5 V	... ±2 mV/V		
bridge supply: 1 V	... ±5 mV/V		
Bridge excitation voltage (as an option)	10 V 5 V (2.5 V and 1 V)	±0.5% ±0.5%	The actual value will be dynamically captured and compensated for in bridge mode.
Min. bridge impedance	120 Ω, 10 mH full bridge 60 Ω, 10 mH half bridge		
Max. bridge impedance	5 kΩ		
Internal quarter bridge completion	120 Ω, 350 Ω		internal, switchable per software
Input impedance	20 MΩ	±1%	differential, full bridge
Gain error	0.02%	0.05%	of reading
Offset error	0.01%	0.02%	of input range after automatic bridge balancing
automatic shunt calibration	0.5 mV/V	±0.2%	for 120 Ω and 350 Ω
Cable resistance for bridges (without return line)	<6 Ω <12 Ω		10 V excitation 120 Ω 5 V excitation 120 Ω

Sensor supply				
Parameter	Value typ.		max.	Remarks
Configuration options	5 selectable settings			The sensor supply module always has 5 selectable voltage settings. default selection: +5 V to +24 V
Output voltage	Voltage (+1 V) (+2.5 V) +5.0 V +10 V +12 V +15 V +24 V (±15 V)	Current 580 mA 580 mA 580 mA 300 mA 250 mA 200 mA 120 mA 190 mA	Power 0.6 W 1.5 W 2.9 W 3.0 W 3.0 W 3.0 W 2.9 W 3.0 W	set jointly for all eight channels upon request, also 2.5 V and 1 V settings are available, for example by replacing the +12 V or +15 V setting. An arbitrary set of 5 setting can be chosen preferred selections: +24 V, +12 V, +10 V, +5.0 V, +2.5 V +15 V, +10 V, +5.0 V, +2.5 V, +1 V upon request, special order: +15 V can be replaced by ±15 V. This eliminates the internal current- and quarter bridge measurement.
Short-circuit protection	unlimited duration			to output voltage reference ground: "-VB"
Accuracy of output voltage	<0.25 %		0.5 % 0.9 % 1.5 %	at terminals, no load at 25 °C over entire temperature range plus with optional bipolar output voltage
Compensation of cable resistances	3-line control: SENSE line as refeed (-VB: supply ground)			calculated compensation with bridges
Max. capacitive load	>4000 µF >1000 µF >300 µF			2.5 V to 10 V 12 V, 15 V 24 V

Technical Specs DI / DO / ENC / DAC

Digital Inputs

Parameter	Value	Remarks
Channels	8	common ground reference for each 4-channel group, isolated from the other input group
Configuration options	TTL or 24 V input voltage range	configurable at the DSUB globally for 8 Bits: <ul style="list-style-type: none"> • jumper from LCOM to LEVEL: activates TTL-mode • LEVEL unconnected: activates 24 V-mode
Sampling rate	≤10 kHz	
Isolation strength	±50 V	tested ±200 V isolated to system ground, supply and channel-to-channel
Input configuration	differential	
Input current	max. 500 µA	
Switching threshold	1.5 V (±200 mV) 8 V (±300 mV)	5 V level 24 V level
Switching time	<20 µs	
Supply HCOM	5 V max. 100 mA	electrically isolated from system (case), Configuration signal "LEVEL" is referenced to HCOM, LCOM
Terminal connection	DSUB-15	ACC/DSUBM-DI4-8

Digital outputs

Parameter	Value		Remarks
Channels / bits	8 bit		Group of 8 bits, galvanically isolated; common reference potential ("LCOM") for each group
Isolation strength	±50 V		to system ground (case, CHASSIS)
Output configuration	totem pole (push-pull) or open-drain		configurable at the DSUB globally for 8 Bits: <ul style="list-style-type: none"> • jumper from OPDRN to LCOM: totem pole • OPDRN unconnected: open-drain
Output level	TTL or max. $U_{ext} - 0.8 V$		internal, galvanically isolated supply voltage by connecting an external supply voltage U_{ext} with "HCOM", $U_{ext} = 5 V$ to $30 V$
State upon system power up	high impedance (High-Z)		Independent of output configuration (OPDRN-pin)!
Activation of the output stage following system start	upon first preparation of measurement		with initial states which can be selected in the experiment (High / Low) in the selected output configuration (OPDRN-pin)
Max. output current (typ.)	HIGH	LOW	
TTL	15 mA	0.7 A	
24 V-logic	22 mA	0.7 A	
open-drain	---	0.7 A	external clamp diode needed for inductive load
open-drain with intern. 5 V supply		160 mA	for all outputs
Output voltage	HIGH	LOW	for load current:
TTL	>3.5 V	≤0.4 V	$I_{high} = 15 mA$, $I_{low} \leq 0.7 A$
24 V-logic ($U_{ext} = 24 V$)	>23 V	≤0.4 V	$I_{high} = 22 mA$, $I_{low} \leq 0.7 A$
Internal supply voltage	5 V, 160 mA (isolated)		available at terminals
Switching time	<100 μs		
Terminal connection	DSUB-15		ACC/DSUBM-DO8

ENC4: Pulse counter for incremental encoder

Parameter	Value		Remarks
Channels	4 + 1 (5 tracks)		four single-tracks or two two-track channels one index track
Measurement modes	Displacement (abs), Displacement (diff), Angle (abs), Angle (diff), Event, Frequency, Speed, Velocity, Time and Puls Time Measurement		only if the sampling rate is ≤ 1 ms
Sampling rate	≤ 50 kHz		per channel only one sampling rate for all 4 channels allowed
Time resolution of measurement	31.25 ns		counter frequency: 32 MHz
Data resolution	16 bits		
Input configuration	differential		
Input impedance	100 k Ω		
Input voltage range	± 10 V		differential
Common mode input range	min. -11 V	max. +25 V	
Switching threshold	-10 V to +10 V		detection level selectable per channel
Hysteresis	min. 100 mV		selectable per channel
Analog bandwidth	500 kHz		-3 dB (full power)
Analog filter	Bypass (no Filter), 20 kHz, 2 kHz, 200 Hz		selectable (per-channel) 2 nd order Butterworth
Switching delay	500 ns		signal: 100 mV squarewave
CMRR	70 dB 60 dB	50 dB 50 dB	DC, 50 Hz 10 kHz
Gain error	<1 %		of input voltage range @ 25 °C
Offset error	<1 %		of input voltage range @ 25 °C
Overvoltage strength	± 50 V		to system ground
Sensor supply	+5 V, 300 mA		not isolated (reference: GND, CHASSIS)
Terminal connection	DSUB-15		ACC/DSUBM-ENC4

Analog outputs

Parameter	Value typ.	min. / max.	Remarks
Channels	4		
Output level	± 10 V		
Load current	max. ± 10 mA / channel		
Resolution	16-bit		15-bit, no missing codes
Non-linearity	± 2 LSB	± 3 LSB	
Max. output frequency	50 kHz		
Analog bandwidth	50 kHz		-3 dB, low pass 2nd order
Gain error	< ± 5 mV	< ± 10 mV	-40 °C to 85 °C
Offset error	< ± 2 mV	< ± 4 mV	-40 °C to 85 °C
Terminal connection	DSUB-15		ACC/DSUBM-DAC4

CAN FD Bus Interface

Parameter	Value	Remarks
Number of CAN-nodes	2	one galvanically isolated node per connector
Terminal connection	2x DSUB-9	
Topology	bus	
Transfer protocol	configurable per software: CAN FD (ISO Standard) (max. 8 MBaud) non-ISO CAN FD (Draft) (max. 8 MBaud) CAN High Speed (max. 1 MBaud) CAN Low Speed (max. 125 KBaud)	individually for each node current standard according ISO 11898-1:2015 former draft (Bosch) according ISO 11898 according ISO 11519
Operating mode	Multi Master principle	
Direction of data flow	sending and receiving	
Baud rate	5 kbit/s to 8 Mbit/s	configurable via software; maximum is depending on selected protocol (FD/High/Low Speed)
Termination	120 Ω	switchable by software for each node
Isolation strength	60 V	to system ground (case, CHASSIS)
Direct access for configuration of imc CANSAS modules	yes	via the CAN node of the device with imc STUDIO (CAN High Speed Mode only)

 **Note**

Remote Frame

imc devices actually does not support Remote Frames (RTR) according to CAN specification.